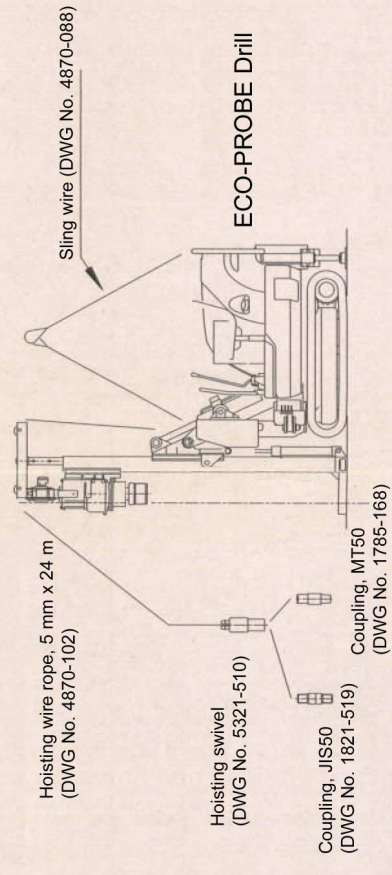
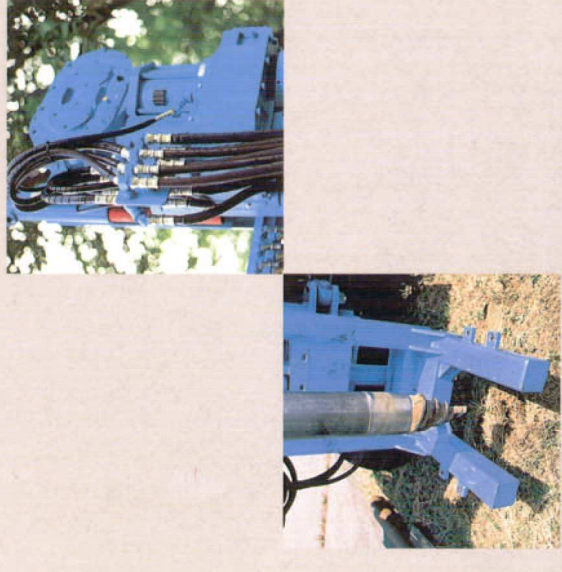


# TOOLING ARRANGEMENT FOR "ECO-PROBE" DRILL

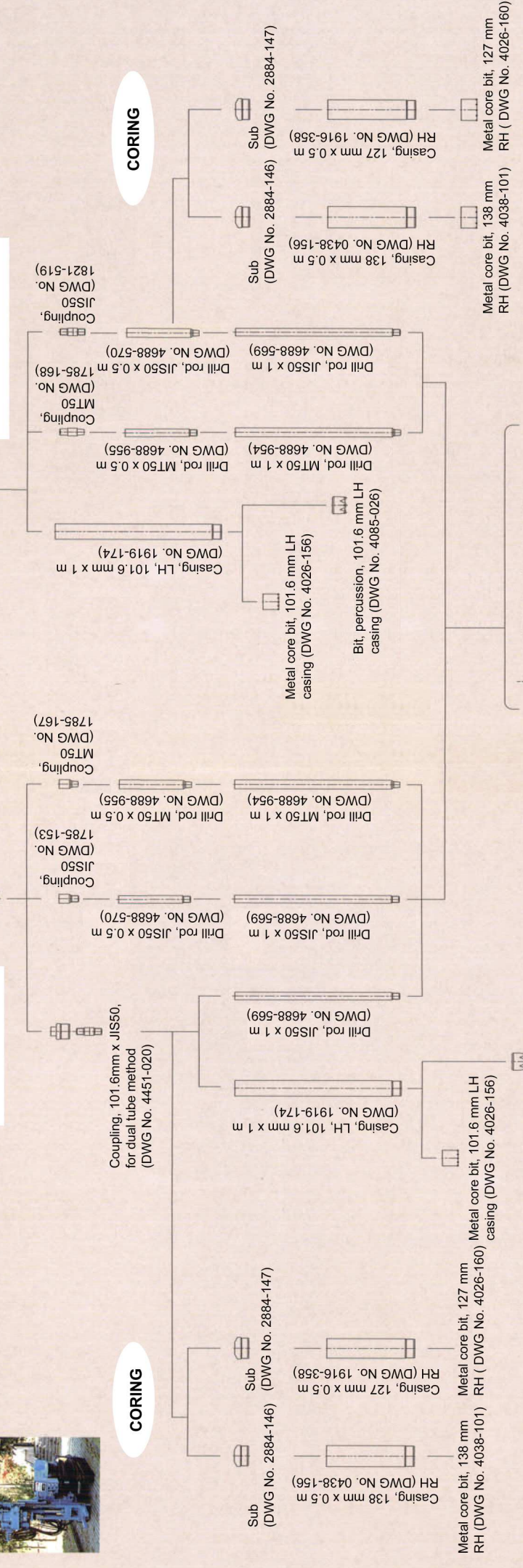


## ECO-PROBE Drill



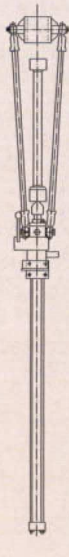
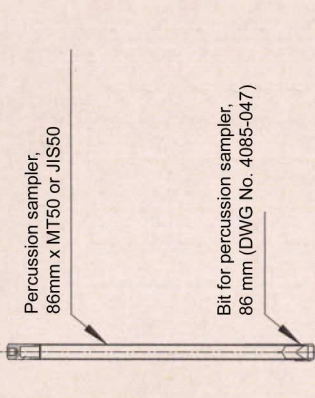
### SAMPLING without circulation fluid

### SAMPLING with circulation fluid



## CORING

## CORING



Hydraulic core pusher

