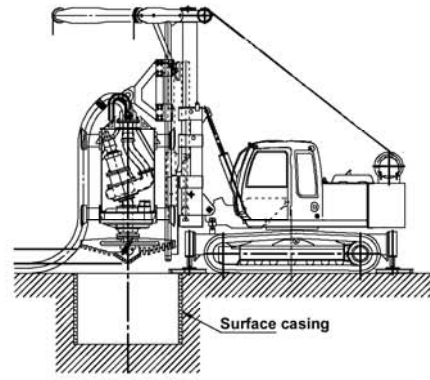
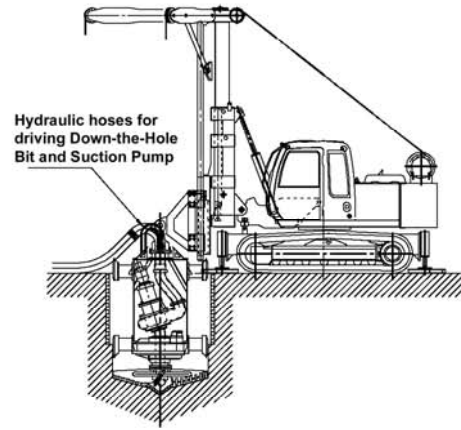


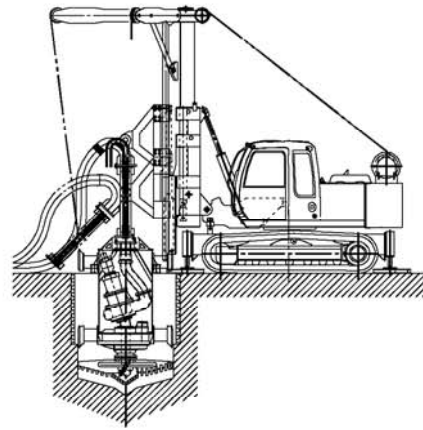
1. Digging ground surface and installation of surface casing



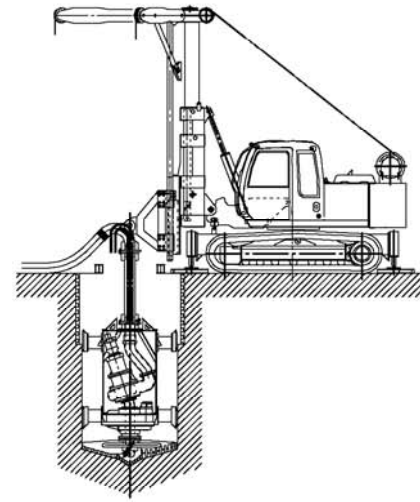
2. Drilling with Down-the-Hole Bit



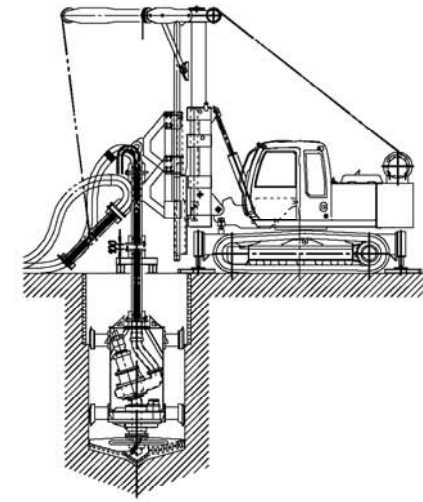
3. Lifting up Down-the-Hole Bit and addition of 1st reverse rod



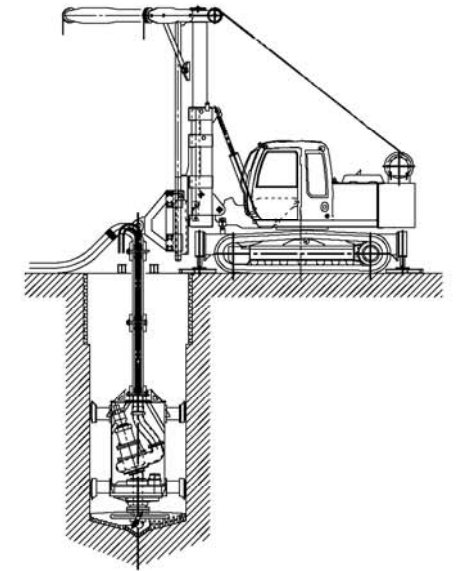
4. Drilling with 1st reverse rod



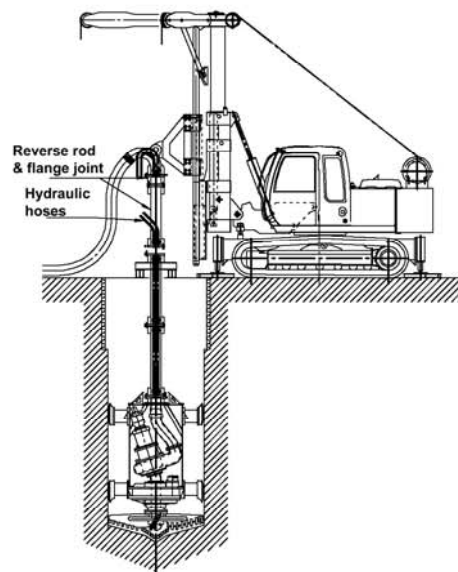
5. Addition of 2nd reverse rod



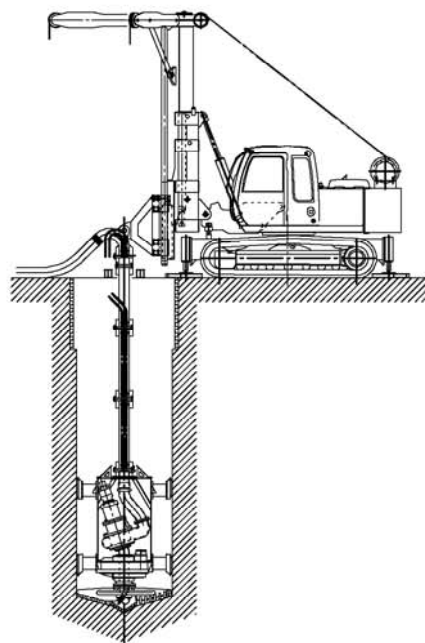
6. Drilling with 2nd reverse rod



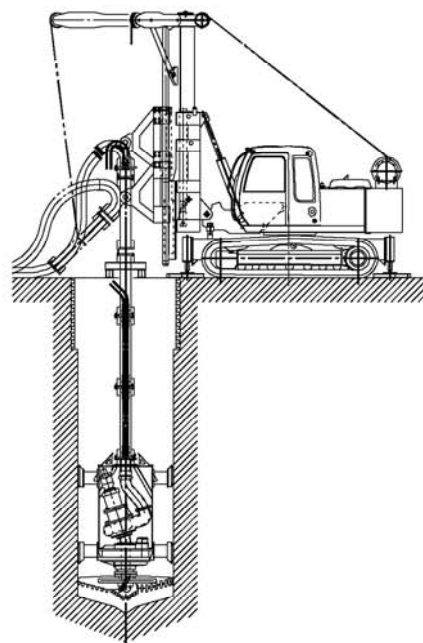
7. Addition of 3rd reverse rod



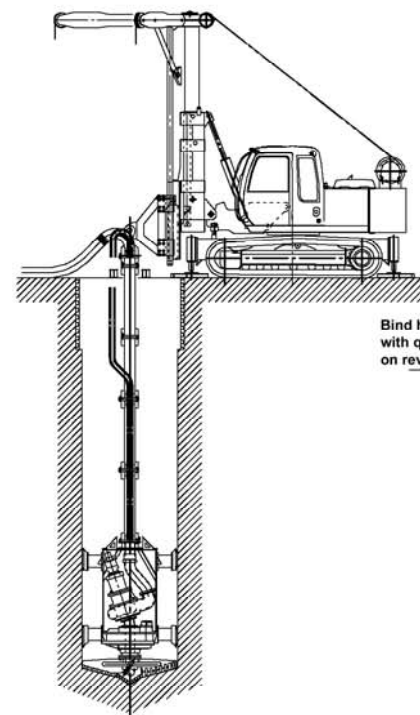
8. Drilling with 3rd reverse rod



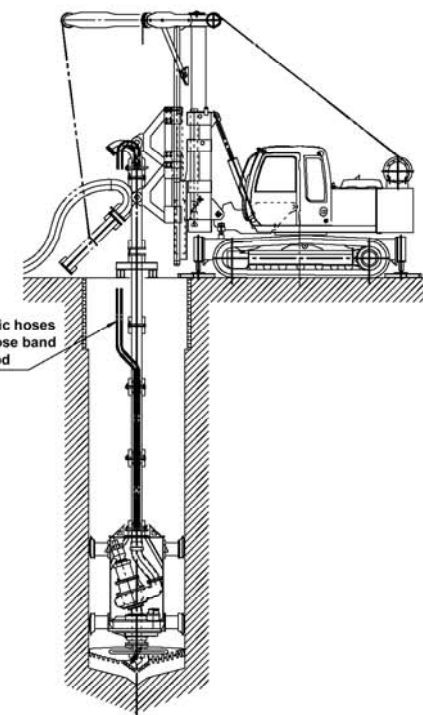
9. Addition of 4th reverse rod



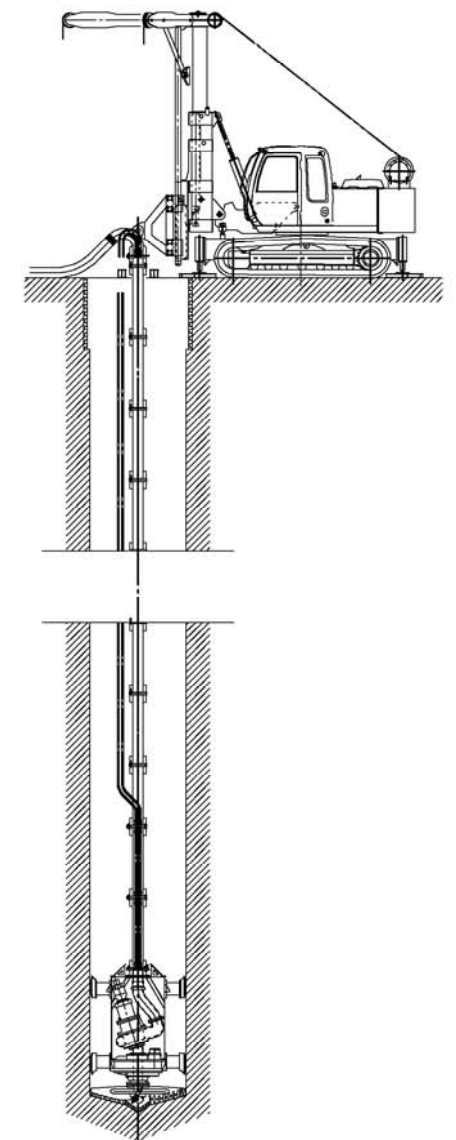
10. Drilling with 4th reverse rod



11. Addition of 5th reverse rod



12. Drilling with 5th reverse rod and repeat same procedure up to target depth



# Drilling Sequence by MPD-45 with Down-the-Hole Bit